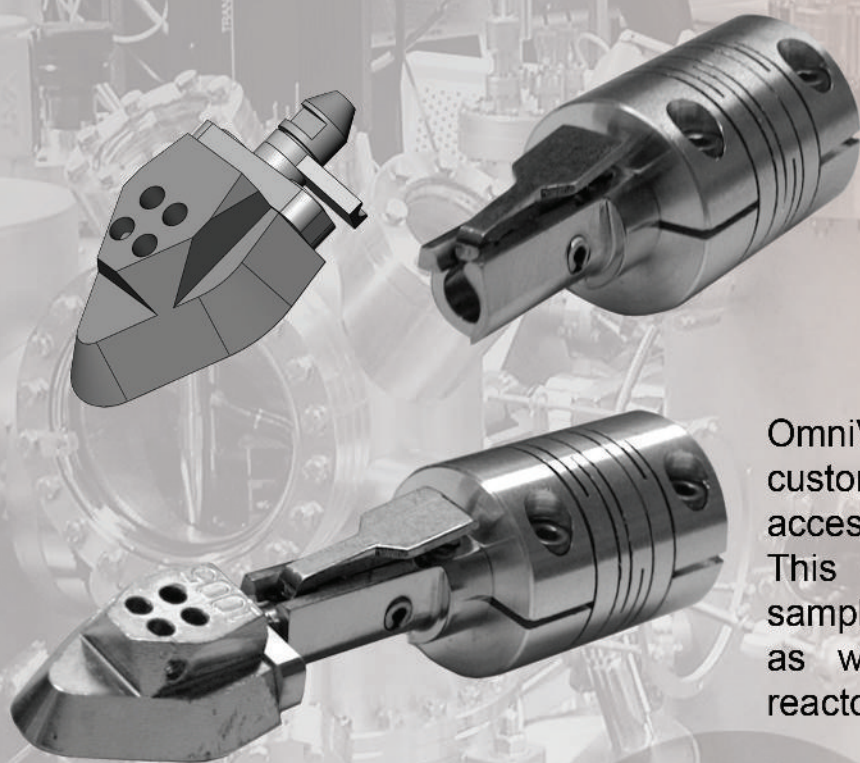




OmniVac

Surface Analysis and Vacuum Technology

Accessories & Extension for CAMECA Systems



OmniVac offers various customizable extensions and accessories for CAMECA systems. This includes basic tools like sample grippers and transfer rods as well as highly customized reactor chambers.

■ load lock chambers

■ cameca-transfer

■ cooling/heating stages

■ preparation chambers

■ reactor chambers

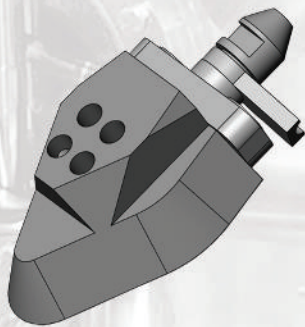
www.omnivac.de

Accessories & Extension for CAMECA Systems

OmniVac offers various customizable extensions and accessories for CAMECA systems. This included basic tools like sample grippers and transfer rods as well as highly customized reactor chambers.



The reactor Chamber can be equipped customized with various sample holder receiving stations (flag style, Cameca, OmniVac). Internal shielding prevents the Chamber and windows from excessive heat. Flanges for sample transfer, viewports etc. can be customized optionally a gas mixing station for controlled inlet of up to 4 gases via MFCs can be provided.



Applicable to magnetic transfer rods and wobble stick, the CAMECA gripper is a basic tool for extension of your CAMECA System.

OmniVac also offers a modified CAMECA sample holder with fixing sites for up to 4 samples.



OmniVac
Hertelsbrunnenring 30
D-67657 Kaiserslautern / Germany

Tel +49 (0) 631 3110740
Fax +49 (0) 631 28056
sales@omnivac.de