



RDC 700

UHV Distribution Chamber

■ preparation

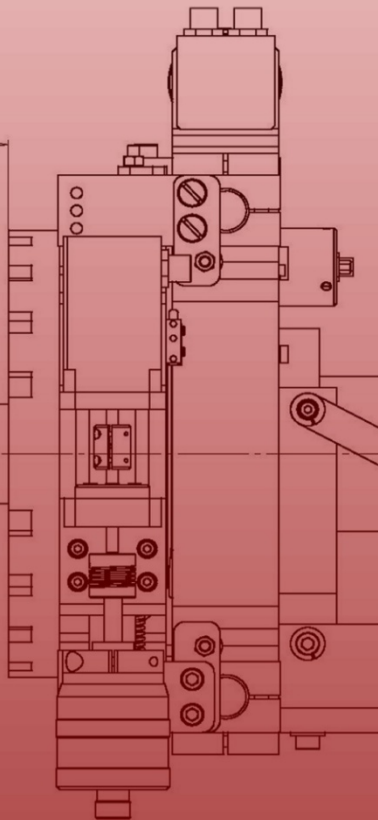
■ 700 mm z-transfer

■ storage

■ up to 8 ports

■ analysis

■ full 360° support

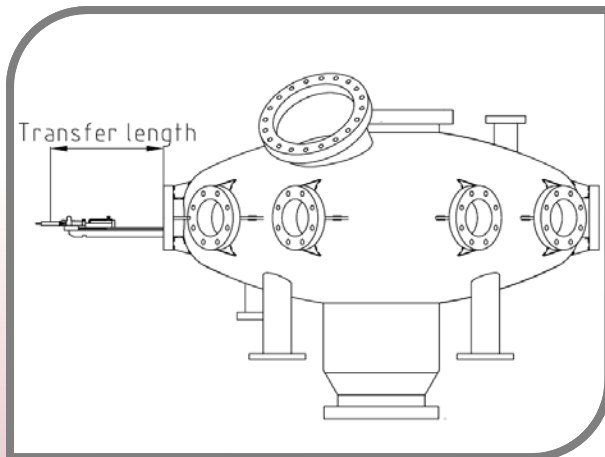


www.omnivac.de

OmniVac

RDC 700

UHV Distribution Chamber



The **OmniVac RDC 700 Distribution Chamber** is the central element of our multichamber UHV-systems. It provides access to up to 8 individual chambers for e.g. preparation, storage or analysis. The RDC 700 distribution chamber has a diameter of 700 mm and offers a translation distance to each sample holder station in the different chambers of up to 475 mm. For sample holder reception and fixation a carabiner mechanism is used enabling safe and reliable transfer of your samples. Under common conditions a transfer can be performed in less than one minute, enabling nearly continuous heating or cooling of a sample. Up to three DN 250CF windows provide full optical insight to all phases of the sample transfer process.

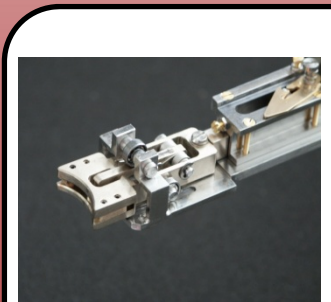
► 700 mm z-transfer

► up to 8 ports

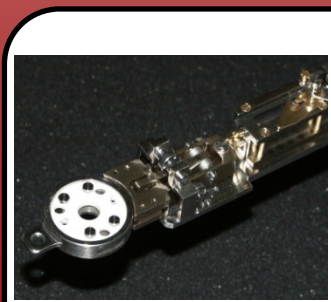
► full 360° rotation

RDC 700 UHV Distribution Chamber

Chamber diameter	700 mm
Maximum z-transfer	475 mm
Rotation	360°
Flanges	up to 8 DN 63 CF flanges
Vacuum pump	Ion getter pump
Base pressure	$< 2 \cdot 10^{-10}$ mbar



carabiner mechanism



Related products:

- **SHR 100** Sample Holder Receiving Station
- **SH** Sample Holder series
- **RDC 800, RDC 900**



OmniVac
Espensteigstrasse 16
D-67661 Kaiserslautern / Germany

Tel +49 (0) 631 3110740
Fax +49 (0) 631 28056
sales@omnivac.de